

LMH730276 4:1 Multiplexer Evaluation Board

General Description

The LMH™730276 evaluation board is designed to aid in the characterization of National Semiconductor's High Speed 4:1 Multiplexers.

Use the evaluation board as a guide for high frequency layout and as a tool to aid in device testing and characterization.

The evaluation board schematic is shown in *Figure 1*. Refer to the product data sheets for recommendations for component values.

Basic Operation

By changing R_{IN} ($R1 - R4$) and R_{OUT} (R_O) different input and output impedances can be matched. The SMA connectors and board traces are optimized for 50 to 75 Ω operation. Other impedances can be matched but performance may be noticeably different, especially high frequency response. Even with optimal layout, board parasitics play a large part in high frequency performance and different termination resistors will change the frequency of the dominant parasitic poles/zeros. To accommodate 50 Ω high speed pulse generators, termination resistors $R6$, $R7$, $R8$ & $R9$ are provided for the Address and Shutdown pins. When driving the logic pins be careful to use compatible signal levels. See the device datasheet for more details

Layout Considerations

Printed circuit board layout and supply bypassing play major roles in determining high frequency performance. When designing your own board use the LMH730276 evaluation board as a guide and follow these steps to optimize high frequency performance

1. Use a ground plane.
2. Include large (~6.8 μ F) capacitors on both supplies (C_2 & C_4).
3. Near the device use .01 μ F ceramic capacitors from both supplies to ground (C_1 , C_3).
4. A capacitor between V^+ and V^- is optional (to help suppress second order harmonic distortion; not included on evaluation board).
5. Remove the ground and power planes from under and around the part, especially near the OUT and INV pins.
6. Minimize all trace lengths.
7. Use terminated transmission lines for long traces.

Sample artwork for the LMH730276 Evaluation board is included on the next page in *Figure 2*.

Measurement Hints

The board is designed for 50 Ω input and output connections into coaxial cables. For other impedances the terminating resistors can be modified to help match different impedances.

Do not use normal oscilloscope probes to test these circuits. The capacitive loading will change circuit performance drastically. Instead use low impedance resistive divider probes of 100 to 500 Ω . See *Figure 3* for a sample resistive probe. The Low impedance resistor should be 50 - 450 Ω . The ground connection should be as short as possible (~1/2"). Even with careful use of these probes, results should be considered preliminary until verified with controlled impedance measurements. Even the best probes will interfere with circuit operation to some degree. Also, tools, power cables, fingers, etc. near the device will change measurement results, often dramatically.

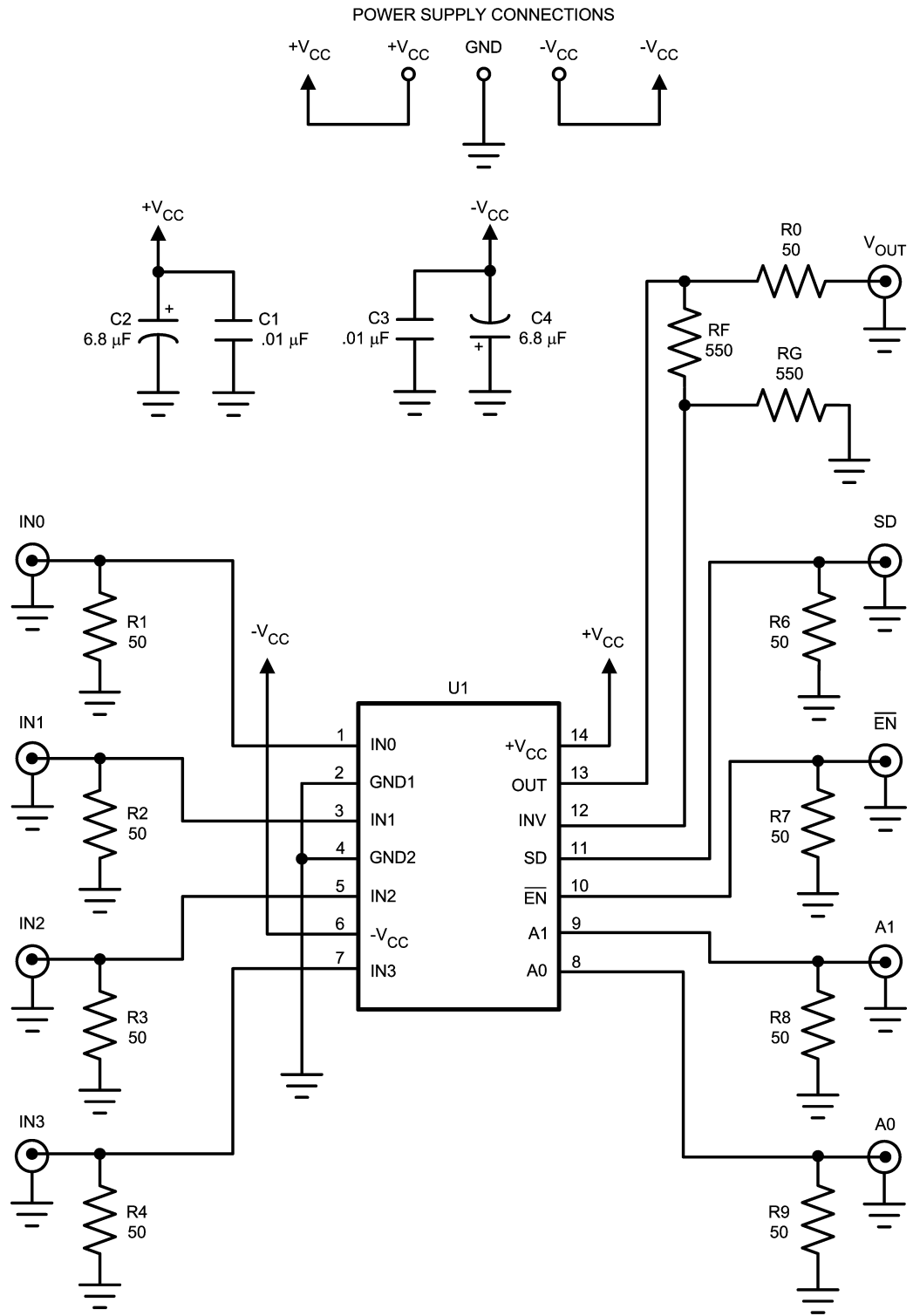
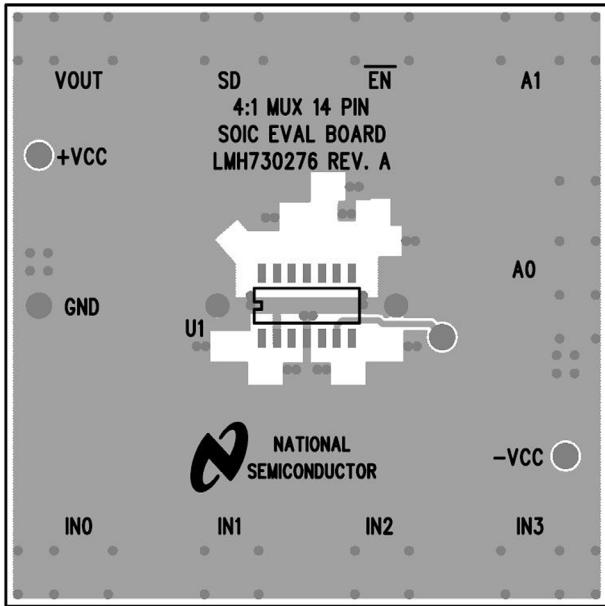
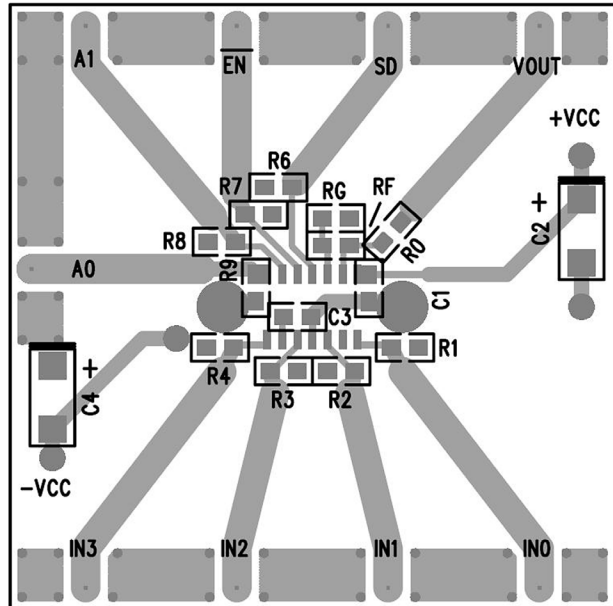


FIGURE 1. Board Schematic

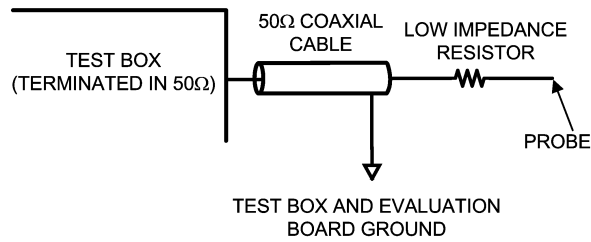


20119801



20119802

FIGURE 2. Board Layout (Actual Size = 2" x 2")



$$\text{PROBE ATTENUATION} = \frac{50}{R + 50}$$

20119804

FIGURE 3. Probe Schematic

Notes

National does not assume any responsibility for use of any circuitry described, no circuit patent licenses are implied and National reserves the right at any time without notice to change said circuitry and specifications.

For the most current product information visit us at www.national.com.

LIFE SUPPORT POLICY

NATIONAL'S PRODUCTS ARE NOT AUTHORIZED FOR USE AS CRITICAL COMPONENTS IN LIFE SUPPORT DEVICES OR SYSTEMS WITHOUT THE EXPRESS WRITTEN APPROVAL OF THE PRESIDENT AND GENERAL COUNSEL OF NATIONAL SEMICONDUCTOR CORPORATION. As used herein:

1. Life support devices or systems are devices or systems which, (a) are intended for surgical implant into the body, or (b) support or sustain life, and whose failure to perform when properly used in accordance with instructions for use provided in the labeling, can be reasonably expected to result in a significant injury to the user.
2. A critical component is any component of a life support device or system whose failure to perform can be reasonably expected to cause the failure of the life support device or system, or to affect its safety or effectiveness.

BANNED SUBSTANCE COMPLIANCE

National Semiconductor certifies that the products and packing materials meet the provisions of the Customer Products Stewardship Specification (CSP-9-111C2) and the Banned Substances and Materials of Interest Specification (CSP-9-111S2) and contain no "Banned Substances" as defined in CSP-9-111S2.



National Semiconductor
Americas Customer
Support Center
Email: new.feedback@nsc.com
Tel: 1-800-272-9959

www.national.com

National Semiconductor
Europe Customer Support Center
Fax: +49 (0) 180-530 85 86
Email: europa.support@nsc.com
Deutsch Tel: +49 (0) 69 9508 6208
English Tel: +44 (0) 870 24 0 2171
Français Tel: +33 (0) 1 41 91 8790

National Semiconductor
Asia Pacific Customer
Support Center
Email: ap.support@nsc.com

National Semiconductor
Japan Customer Support Center
Fax: 81-3-5639-7507
Email: jpn.feedback@nsc.com
Tel: 81-3-5639-7560